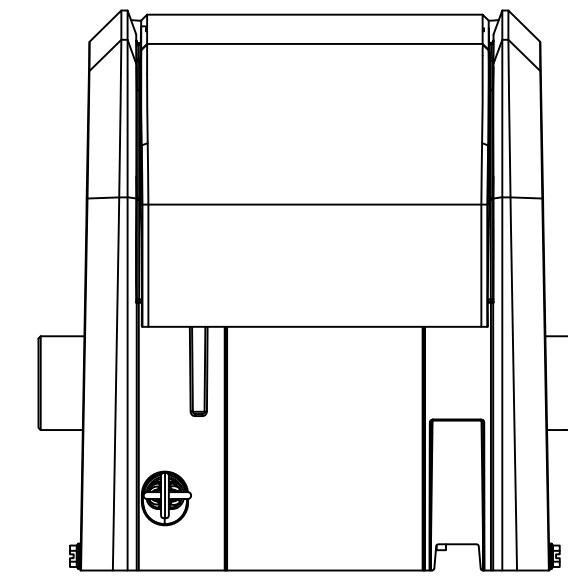
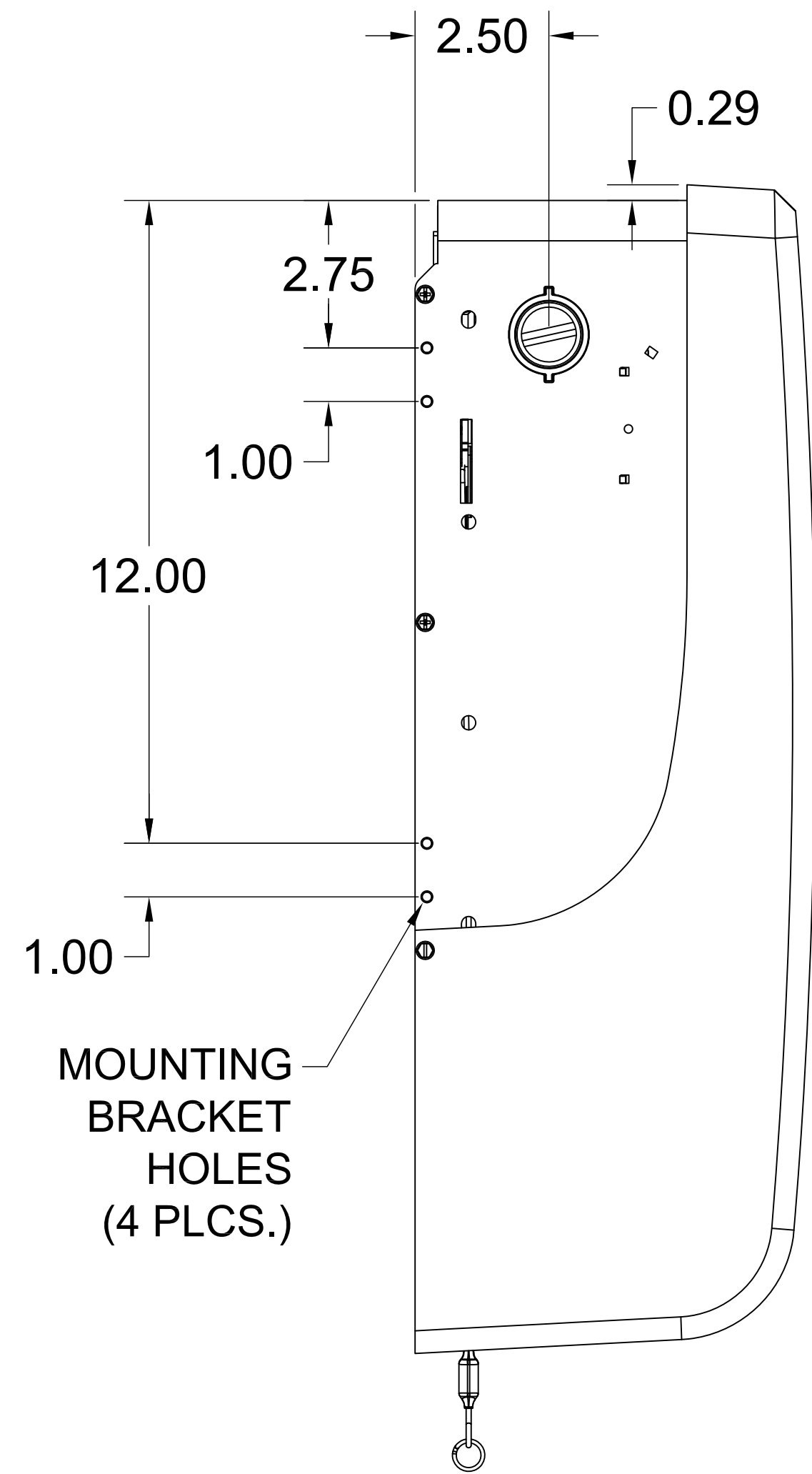


TOP

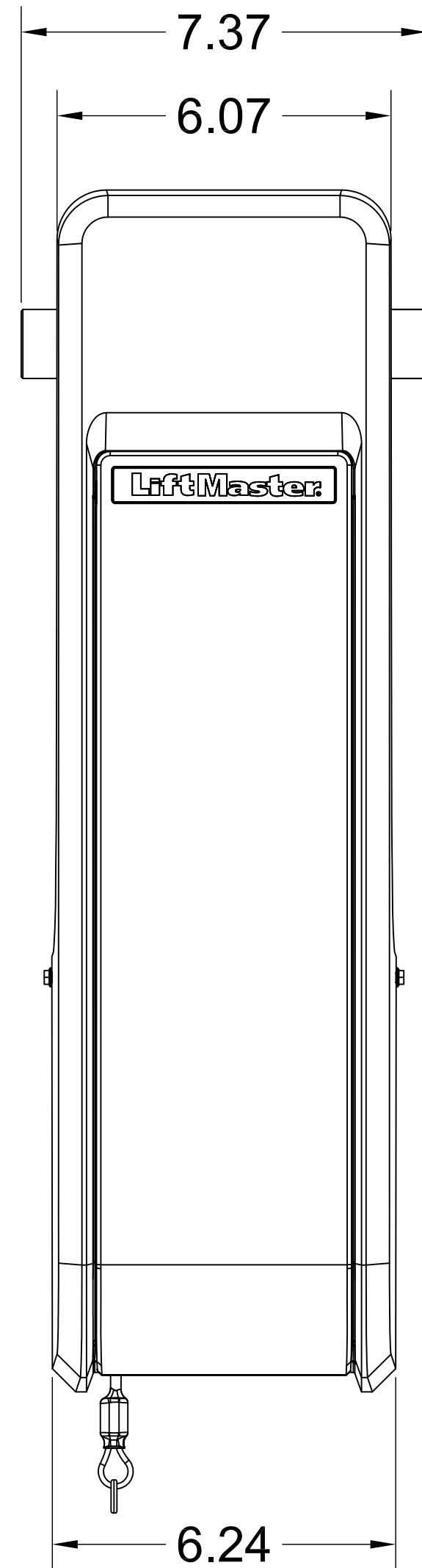


BOTTOM

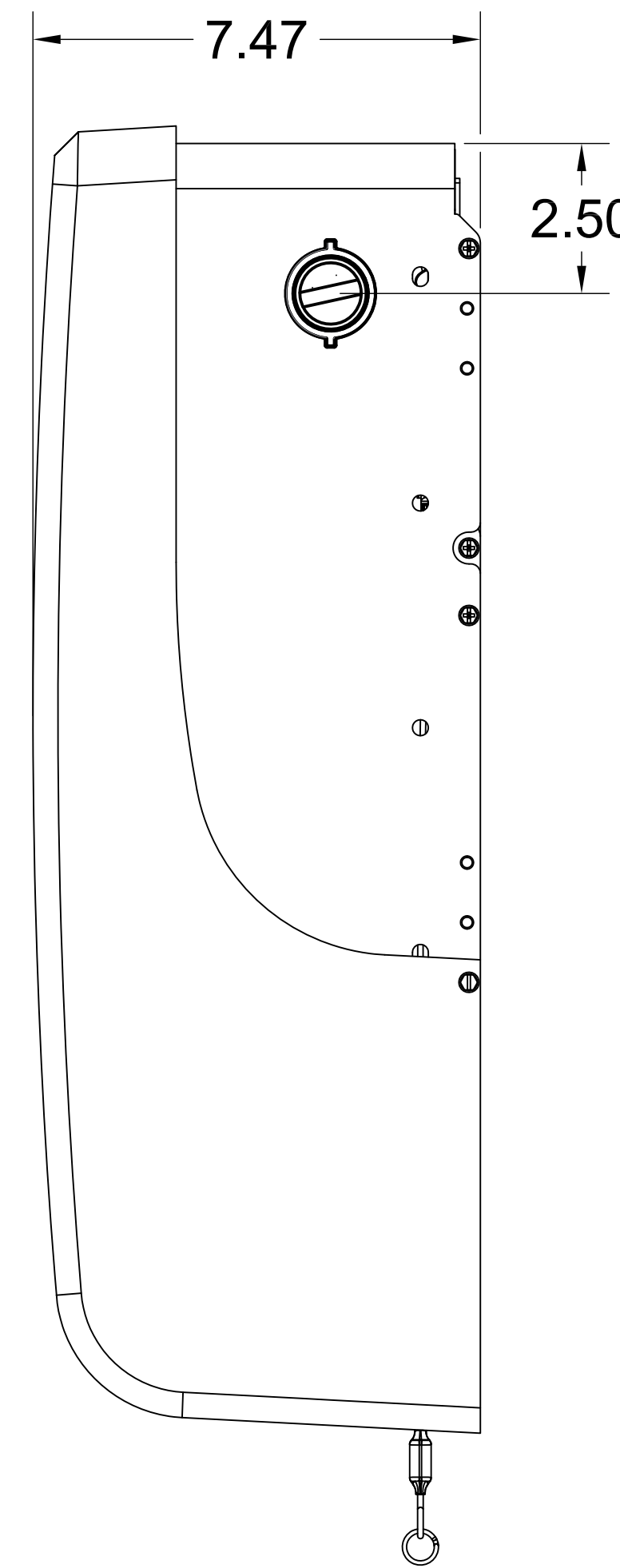


MOUNTING
BRACKET
HOLES
(4 PLCS.)

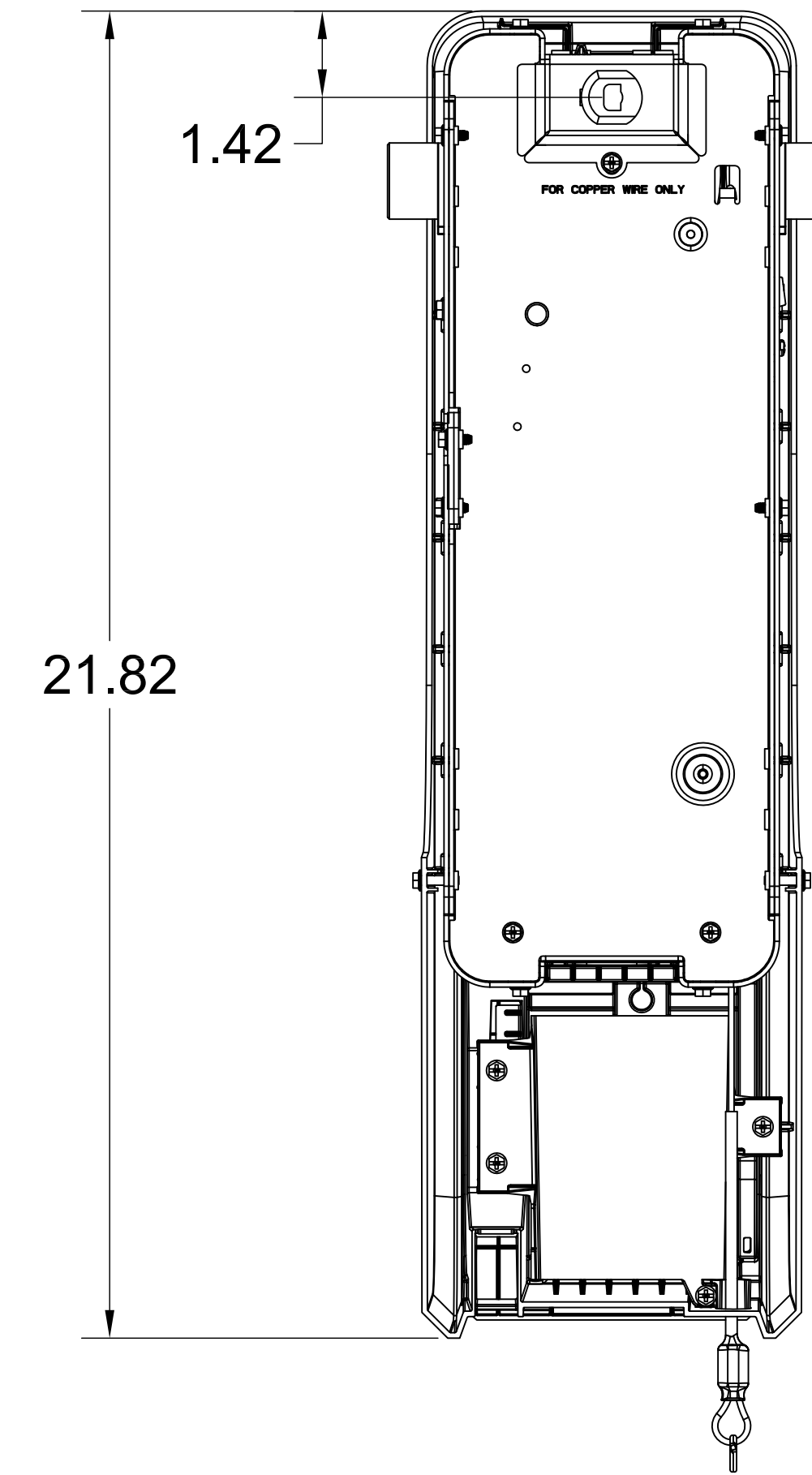
LEFT



FRONT



RIGHT



BACK

(LJ8900W) LIGHT DUTY OPERATOR

LiftMaster[®]

300 WINDSOR DR.
OAK BROOK, IL 60523
PHONE: (630) 418-6516
FAX: (630) 516-7059

LIFTMASTER (CHAMBERLAIN GROUP, INC.)
ENGINEERED SERVICES

DRW. BY: B. MOFFETT

REVISION:

DATE: 12/12/2018

SCALE: NTS

TITLE: LIFTMASTER (LJ8900W) OPERATOR

CAD FILE: -

SHEET NO:

1/1