

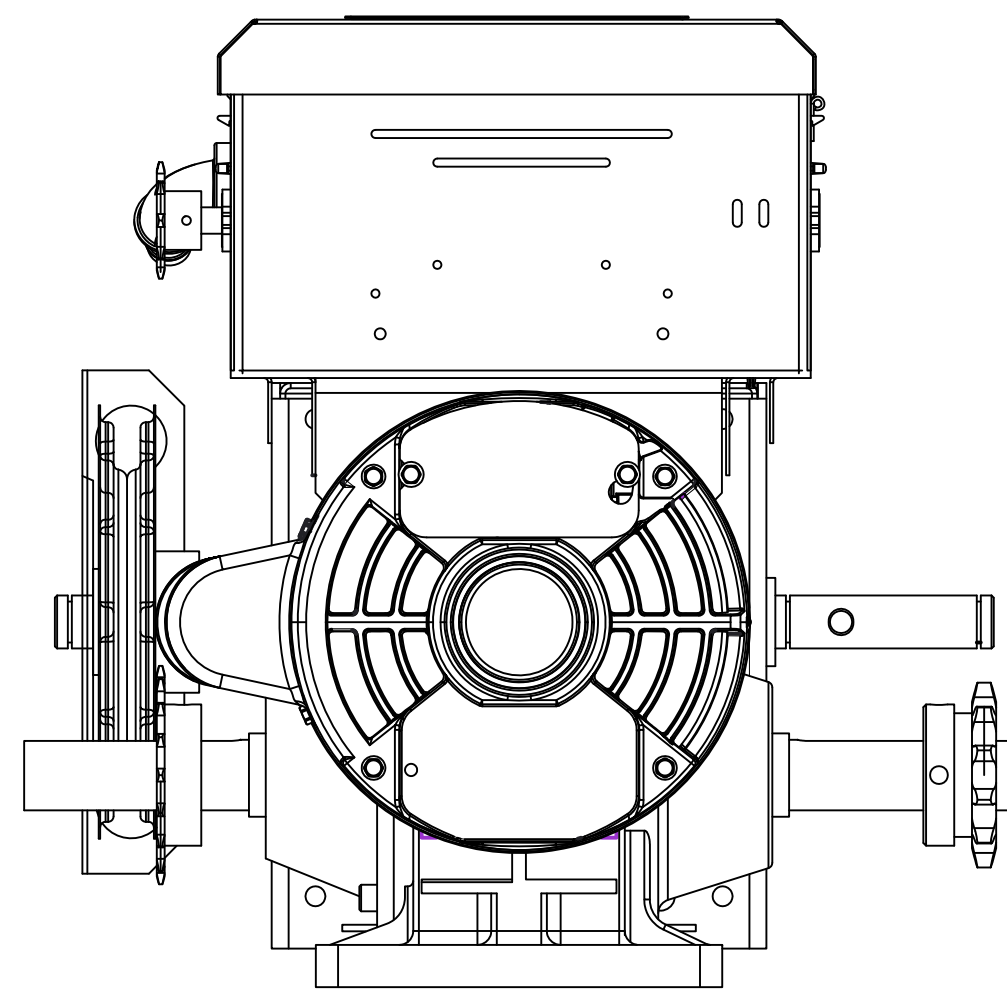
(GH) LOGIC 5 OPERATOR

OPERATOR DIMENSION TABLE

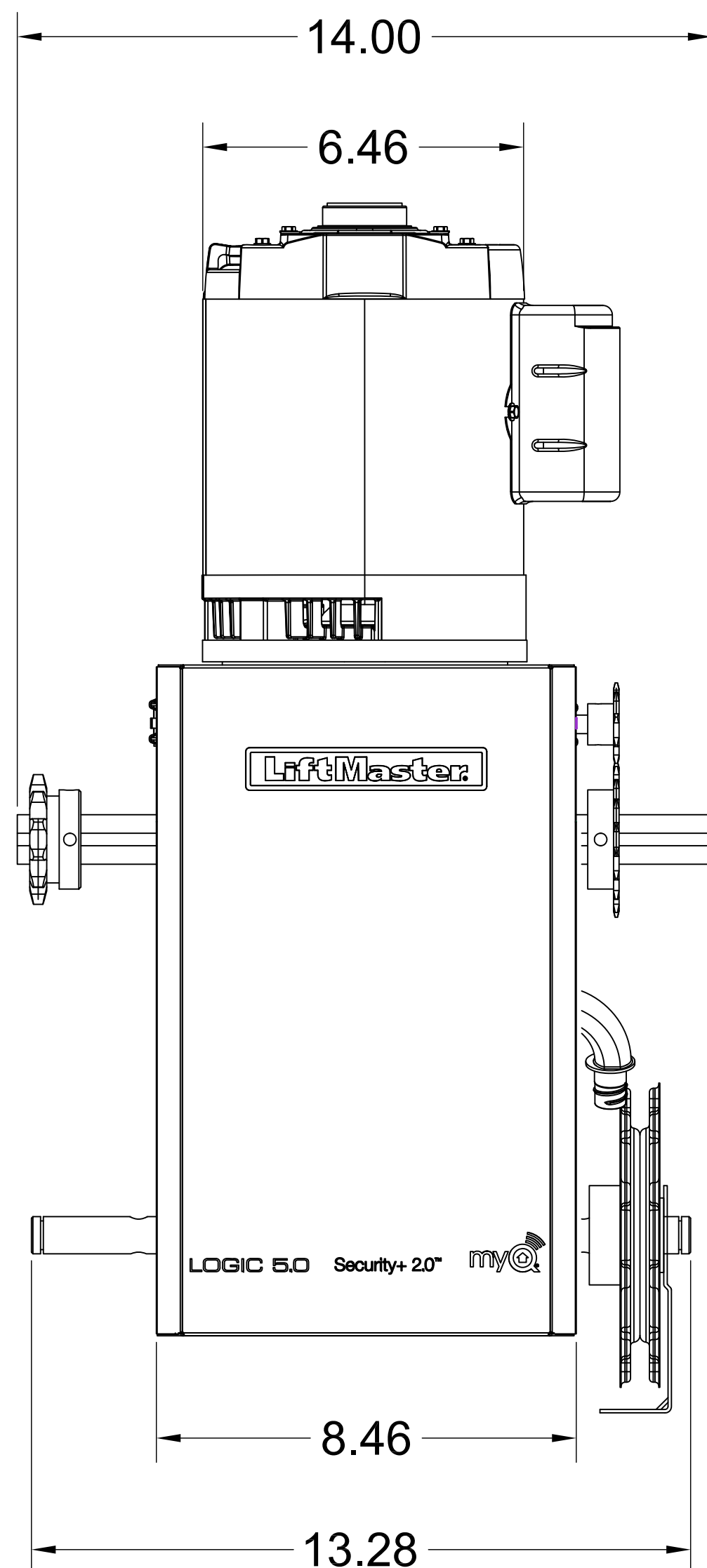
HP	PHASE	DIMENSIONS			
		A	B	C	D
1/2	1	10-1/16"	22-13/16"	13-11/16"	3"
3/4	1	10-9/16"	23-5/16"	13-11/16"	3"
1	1	12-1/16"	24-13/16"	13-11/16"	3"
1-1/2	1	12-1/16"	24-13/16"	14-13/16"	3-1/2"
1/2	3	10-1/16"	22-13/16"	13-11/16"	3"
3/4	3	10-9/16"	23-5/16"	13-11/16"	3"
1	3	11-1/16"	23-13/16"	13-11/16"	3"
1-1/2	3	12-1/16"	24-13/16"	14-13/16"	3-1/2"
2	3	12-9/16"	25-5/16"	14-13/16"	3-1/2"
-	-	-	-	-	-

NOTE: DIMENSIONS A, B & C MAY VARY PER MOTOR MANUFACTURER SPECIFICATION REVISIONS AND SPECIAL MODIFICATIONS TO THE OPERATOR.

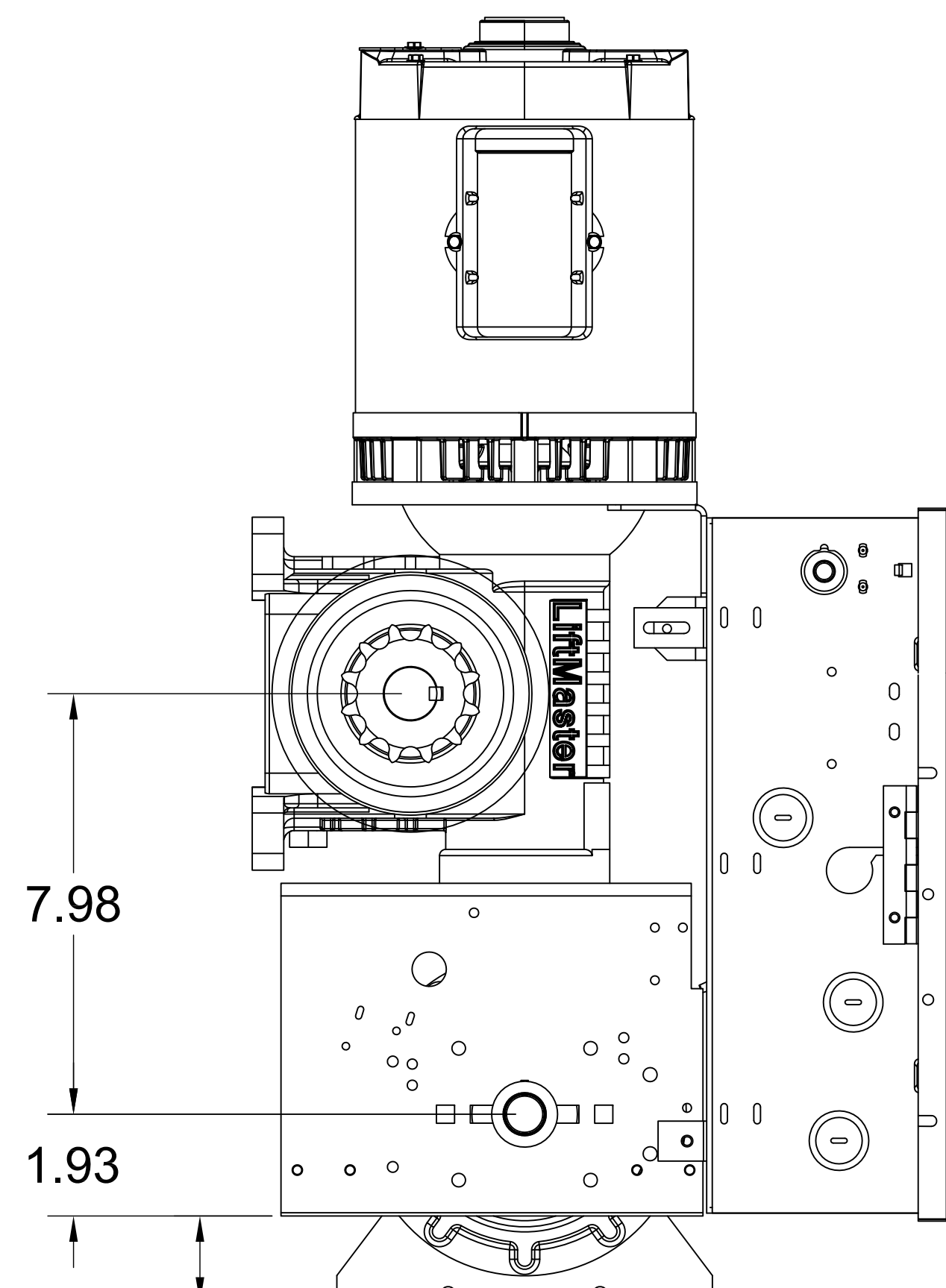
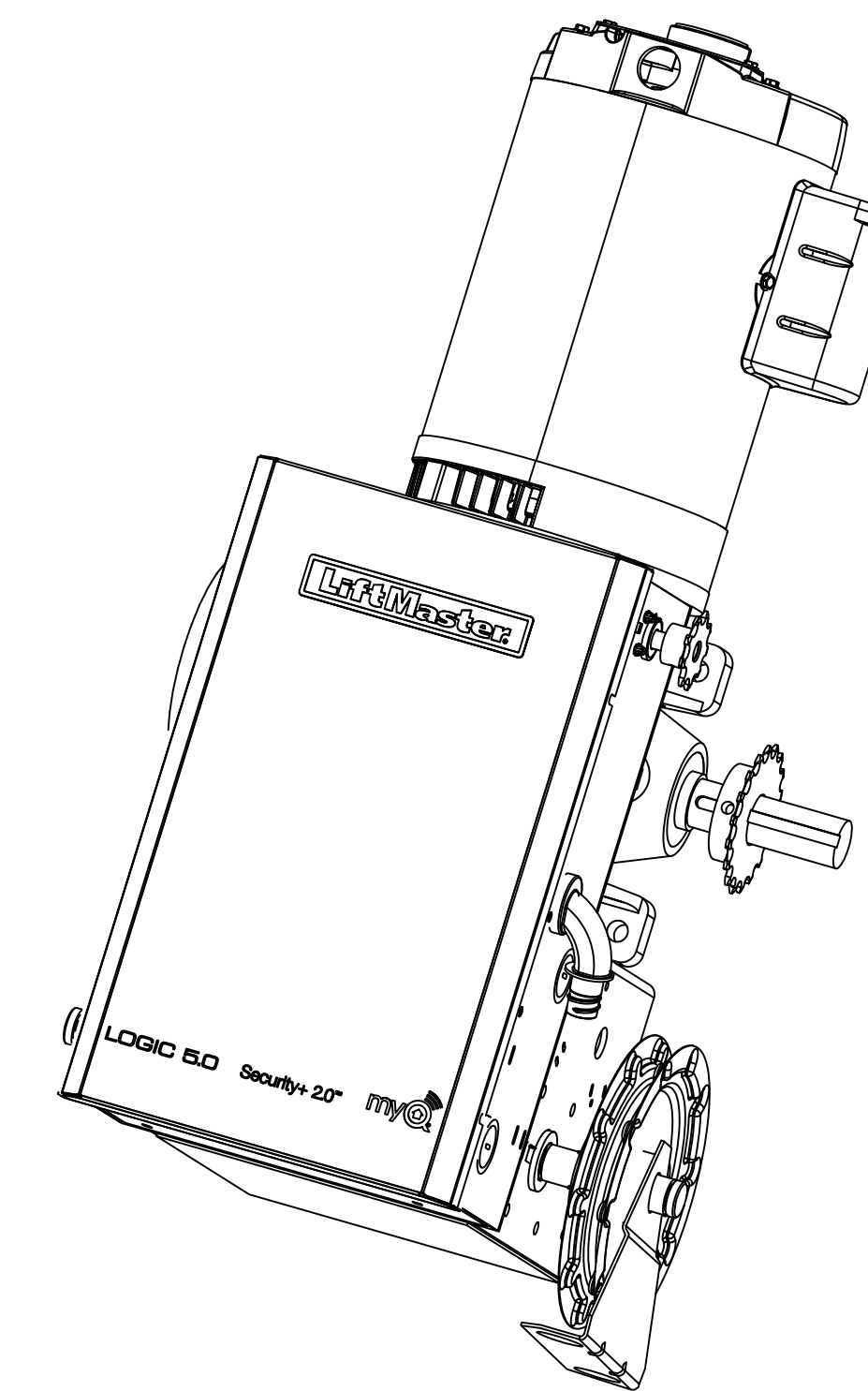
		300 WINDSOR DR. OAK BROOK, IL 60523 PHONE: (630) 418-6516 FAX: (630) 516-7059
DRW. BY: B. MOFFETT DATE: 09/11/2018 TITLE: LIFTMASTER (GH) OPERATOR UNIT CAD FILE: -	REVISION: SCALE: NTS	SHEET NO: 1/2



TOP



FRONT



LEFT

(GH) LOGIC 5 OPERATOR

PRELIMINARY
THIS PRINT IS SUBJECT TO CHANGE
WITH OUT REVISION

		300 WINDSOR DR. OAK BROOK, IL 60523 PHONE: (630) 418-6516 FAX: (630) 516-7059	
		LIFTMASTER (CHAMBERLAIN GROUP, INC.) ENGINEERED SERVICES	
DRW. BY: B. MOFFETT	REVISION:	SHEET NO:	
DATE: 09/11/2018	SCALE: NTS	2/2	
TITLE: LIFTMASTER (GH) OPERATOR UNIT		CAD FILE: -	