

commercial 3400

The **3400 Commercial Series** is our Miami-Dade County certified wind load rated rolling sheet door that meets specific geographic building codes. Independent laboratory testing proves the durability and strength of this door. Quick installation and ease of operation are also key features, making the 3400 series is a sound and economical investment.



Maximum
12' x 16'

Available in sizes up to 12' x 16' and available in white only, customized for your application.



Medium-Duty
Application

Ideal for medium-duty locations, such as warehouses, commercial buildings, and freight terminals.



Wind Load
Rated

Superior construction and innovative design make this door able to withstand heavy winds and extreme weather.



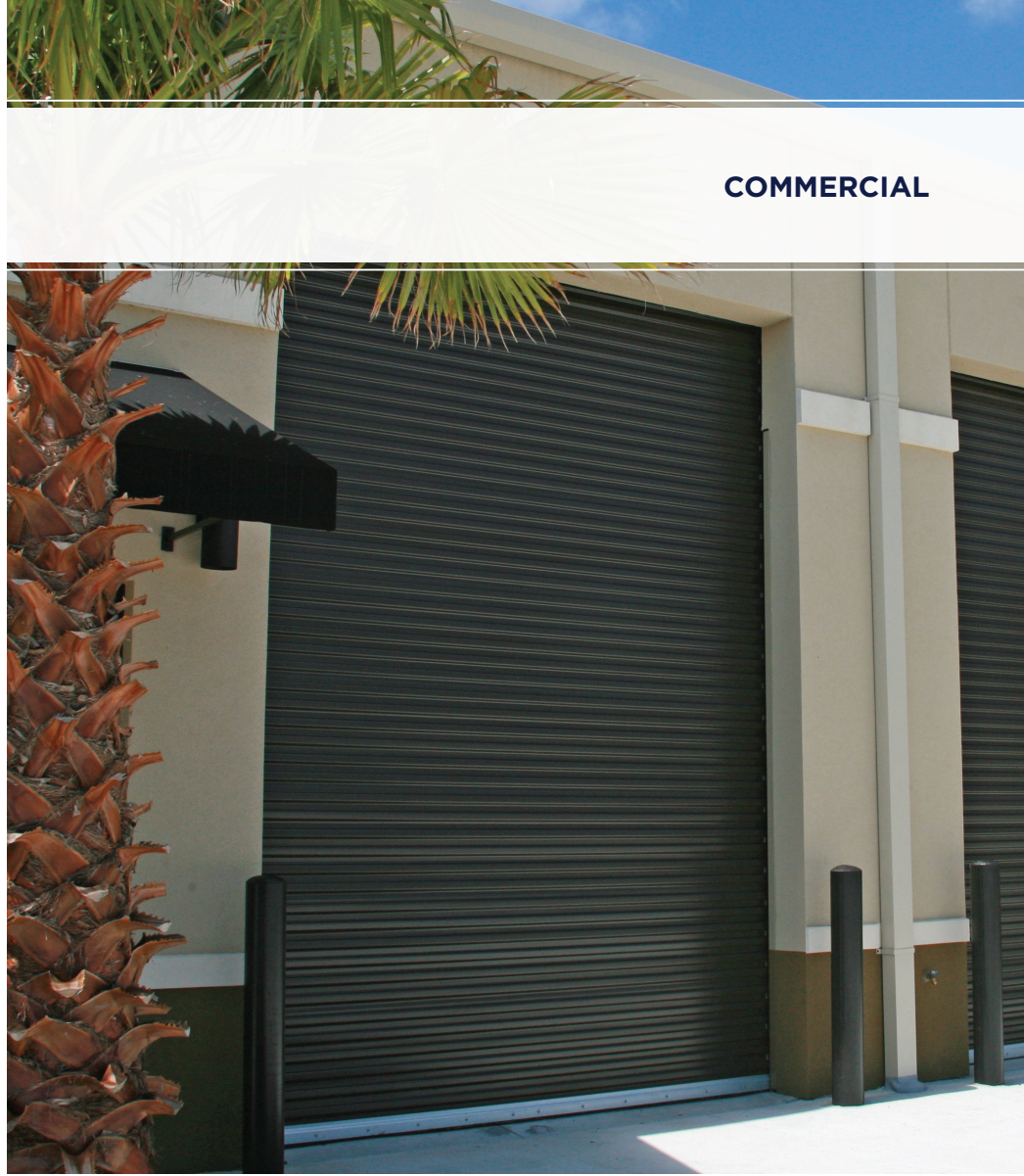
Impact
Rated

Approved by the Florida Building Code. ANSI/DASMA 115 impact and cyclic.



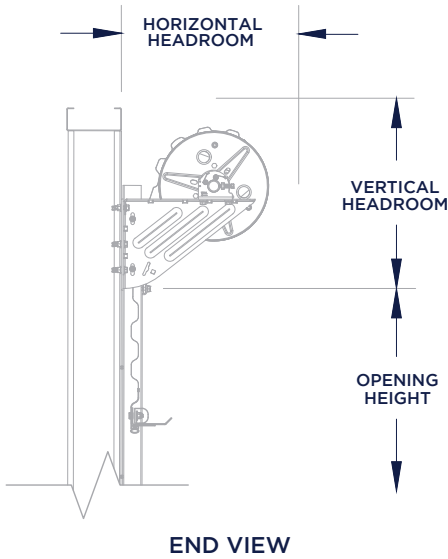
Quality
Guaranteed

One-year door warranty. For paint, 35-year no-fade, 40-year film integrity.

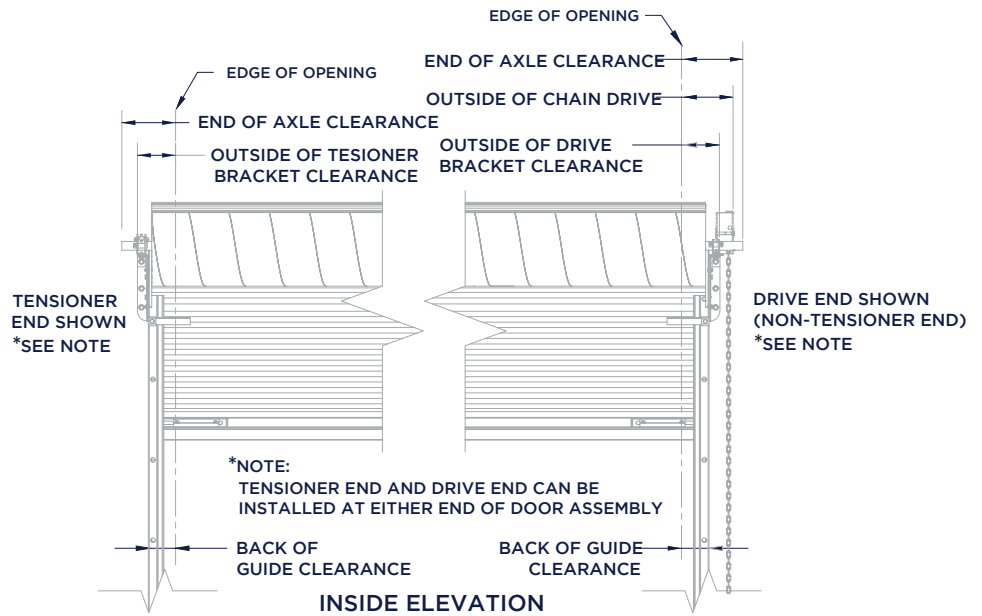


Features

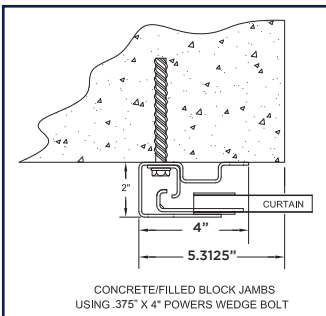
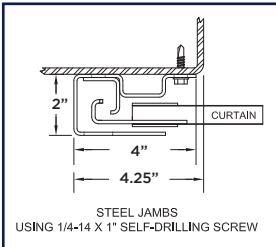
- » **Pre-Lubricated Springs**
During production, springs are factory lubricated and enclosed in a tube to protect them from the environmental elements.
- » **Dead Axle & Barrel Assembly**
An enclosed spiral barrel houses the dead axle assembly and offers durability and smoother operation as weight is distributed throughout the barrel.
- » **24-Gauge Corrugated Door Curtain**
Manufactured from galvanized grade 80 steel and coated with super durable polyester paint, available in white only.
- » **Insulated Version Available**
Side and top draft stops included.


IMPORTANT NOTES:

- Dimensions are referenced from edge of opening.
- Tensioner end and drive end can be installed at either end of door assembly.
- FOR CRITICAL FITS DUE TO REDUCED AVAILABLE HEADROOM or SIDEROOM CLEARANCES, CONSULT FACTORY.



Universal mount 4" deep 12-gauge galvanized steel wind bar guides require no pre-installation modifications for steel, concrete or filled masonry block applications.

SPECIFICATIONS
Guide Details

Head Room Requirements


Opening Height	Vertical Headroom	Horizontal Headroom
Thru 8'0"	20"	20"
Over 8'0" thru 10'0"	21"	21"
Over 10'0" thru 14'0"	21.5"	21"
Over 14'0" thru 16'0"	22"	21"
Over 16'0" thru 18'0"	22"	22"
Over 18'0" thru 20'0"	22"	22"

Side Room Requirements

Operation	Guide	Outside of Bracket Tensioner End	Outside of Hand Chain Drive	Outside of Bracket Drive End	Each End of Axle
Push Up	4.25"	6.25"	N/A	6.25"	9"
Reduced Drive Chain	4.25"	6.25"	8.75"	6.75"	9"
Electric	4.25"	6.25"	N/A	7.75"	9"

NOTE: 1.0625" for each of the measurements shown here for masonry mount.

HIGHLIGHTS:

- B** Barrel: 12"
 - G** Guide: 4", 12-gauge
 -  5:7:1 reduced-drive chain hoist offers smoother operation on doors over 10' tall.
- Visit JanusIntl.com for technical drawings, color options and more.

HEADQUARTERS

Janus International Group
 135 Janus International Blvd.
 Temple, GA 30179

PLEASE VISIT OUR WEBSITE FOR ADDITIONAL INFORMATION:

- ADA Compliance
- Color Options
- Installation
- Technical Drawings
- Warranty
- Additional Locations

866-562-2580
JanusIntl.com
marketing@janusintl.com